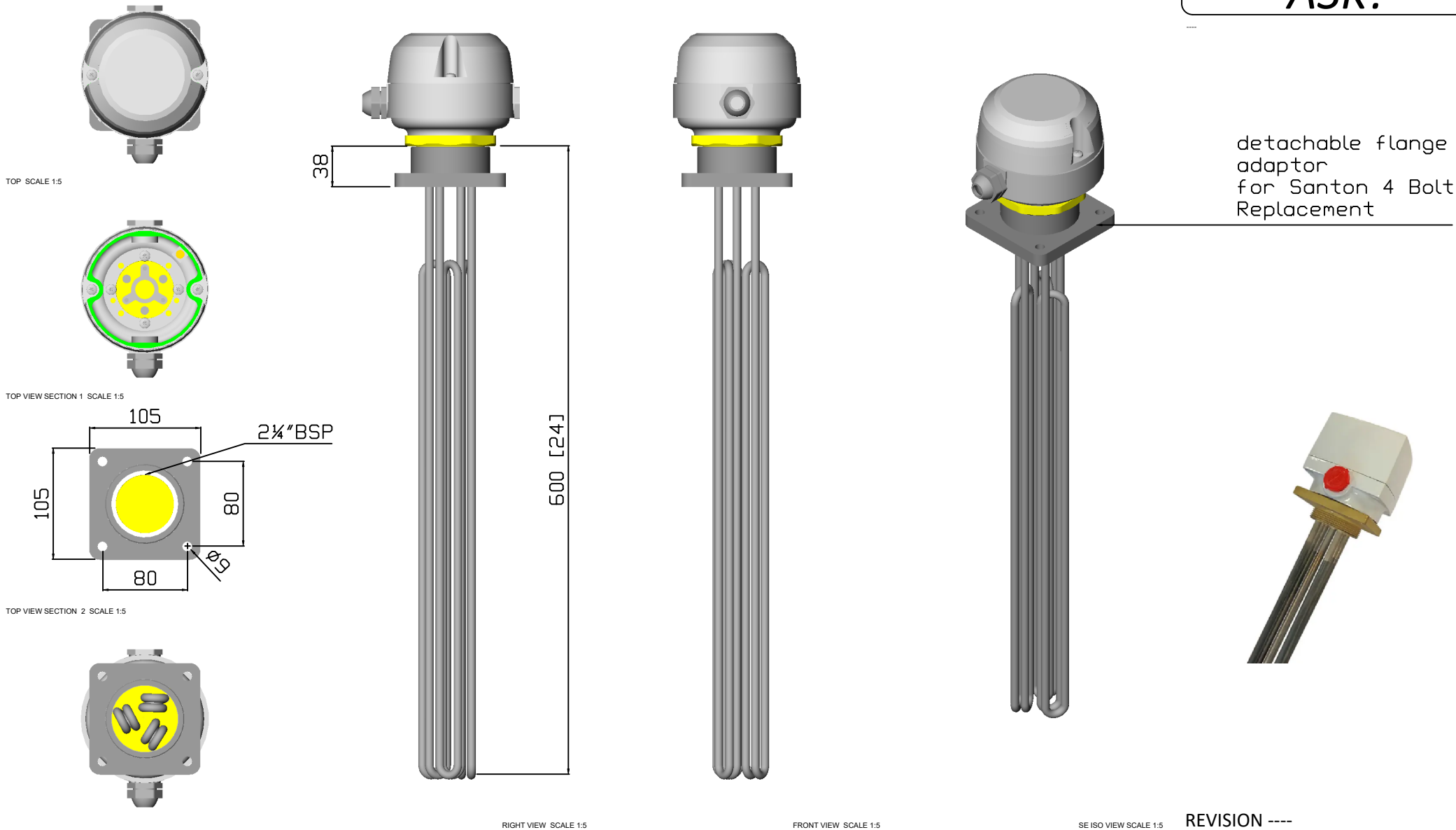


DO NOT SCALE

SHEATHED HEATING ELEMENTS HAVE A STANDARD TOLERANCE OF +/-1% ON LENGTH . TOLERANCE WILL BE TAKEN UP ON ANY INTERNAL BEND TO MAINTAIN MAJOR OUTSIDE DIMENSIONS - UNLESS OTHERWISE STATED - FOR CLARIFICATION PLEASE ASK!

**IF IN DOUBT
ASK!**



IMMERSION HEATERS UK LTD ©
 TEL 01827 215684
 TEL 07897 246779
 www.immersionheaters.uk
 e-mail : sales@immersionheaters.uk

DESCRIPTION
 12KW 240/415V 2 1/4" BSP 24" INDUSTRIAL IMMERSION HEATER KIT
 LOW WATT DENSITY HEATER 56 W/IN²
 SUPERIOR REPLACEMENT FOR
 SANTON 24" 2 1/4" BSPT MY SUPERLOY INDUSTRIAL IMMERSION HEATER 12KW MY1224

MANUFACTURER CODE: MY1224
 ADVANCED WATER CODE: 540-255-1224

IMM001 MULTI VIEW LONG

REVISION ----		
DRAWING No. SANMY1224-TPF.dwg		
DATE	PRINTED	13/11/2025 8:37 AM
13/11/2025		
DRAWN BY	Last Saved by	David.Fay
DF	Date	13/11/25