

	Angular Pos / BB	Regulation °C	Diff. °C
X	0	≈ 0	
Y			
Z	270	100 ±5	

Submerged cap. length = 50 mm

Terminals 6.3 x 0.8 mm

Bulb COPPER

Capillary COPPER

stem length 1000 ±25mm

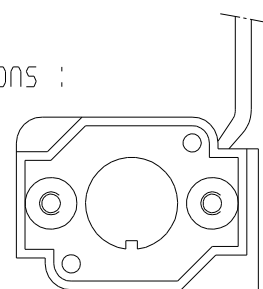
Sleeving 100 ±25mm

Maxi bulb temp. 141 °C

Preset in position : Z

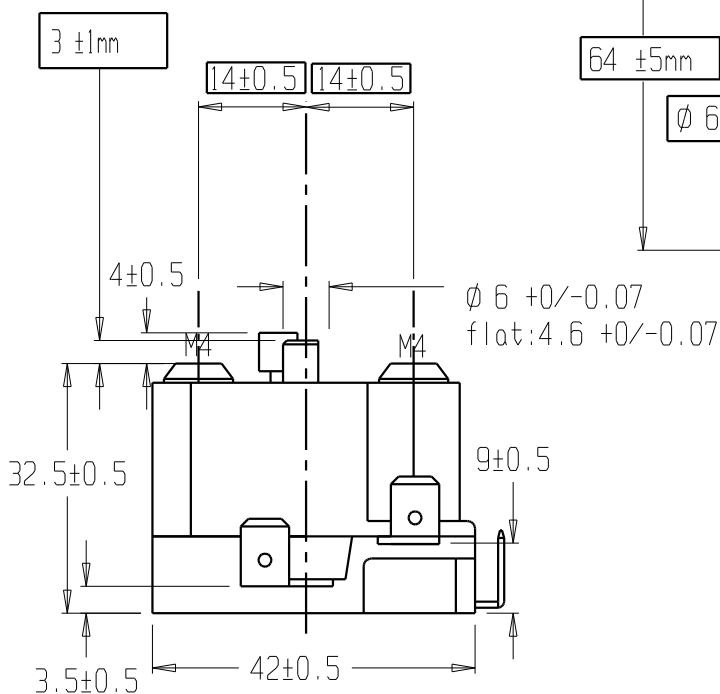
Standard packaging

Observations :

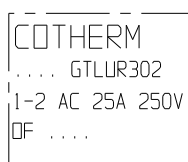


Output capillary

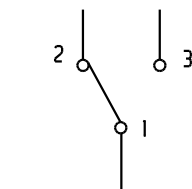
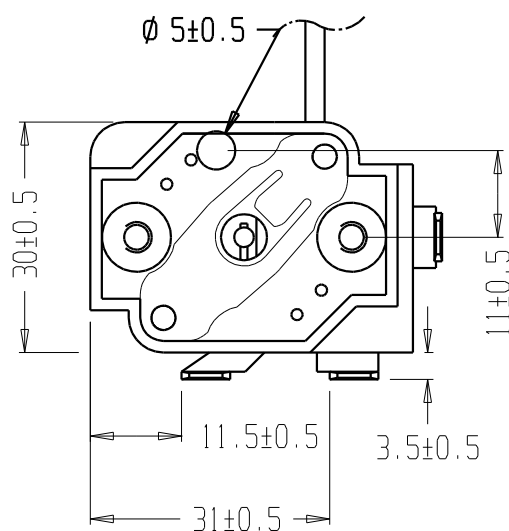
spindle in min. position



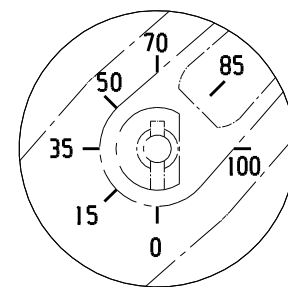
Marking



NORMS: -Approvals BEAB:EN60730-1
EN60730-2-9
T 100
1-2 20A 250V ~
1-3 5A 250V ~



Graduation :



REFER.	MODIFICATION	N°:C05048	DATE	VISA	ACCEPTED ON	VISA
--------	--------------	-----------	------	------	-------------	------

G.T.:	SAMPLE	DESIGNATION	COTHERM
Scale : 1/1	N°: E -5504b	GTLUR3 0 / 100 °C	
Drawn on : 11/03/05	by : <i>D.M</i>	GTLUR302	
Approved on : 14/03/05	by : <i>B R</i>		

THIS DRAWING IS THE EXCLUSIVE PROPERTY OF COTHERM COMPANY AND MUST NOT BE COPIED OR TRANSMITTED TO THIRD PARTIES